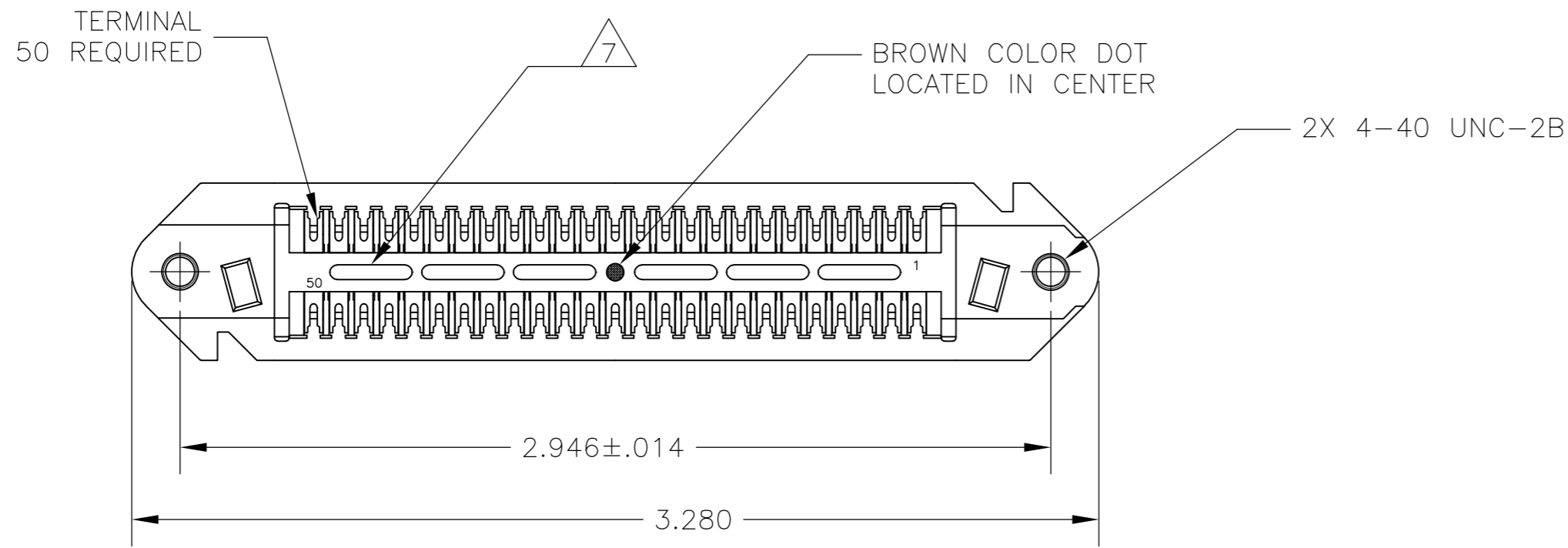
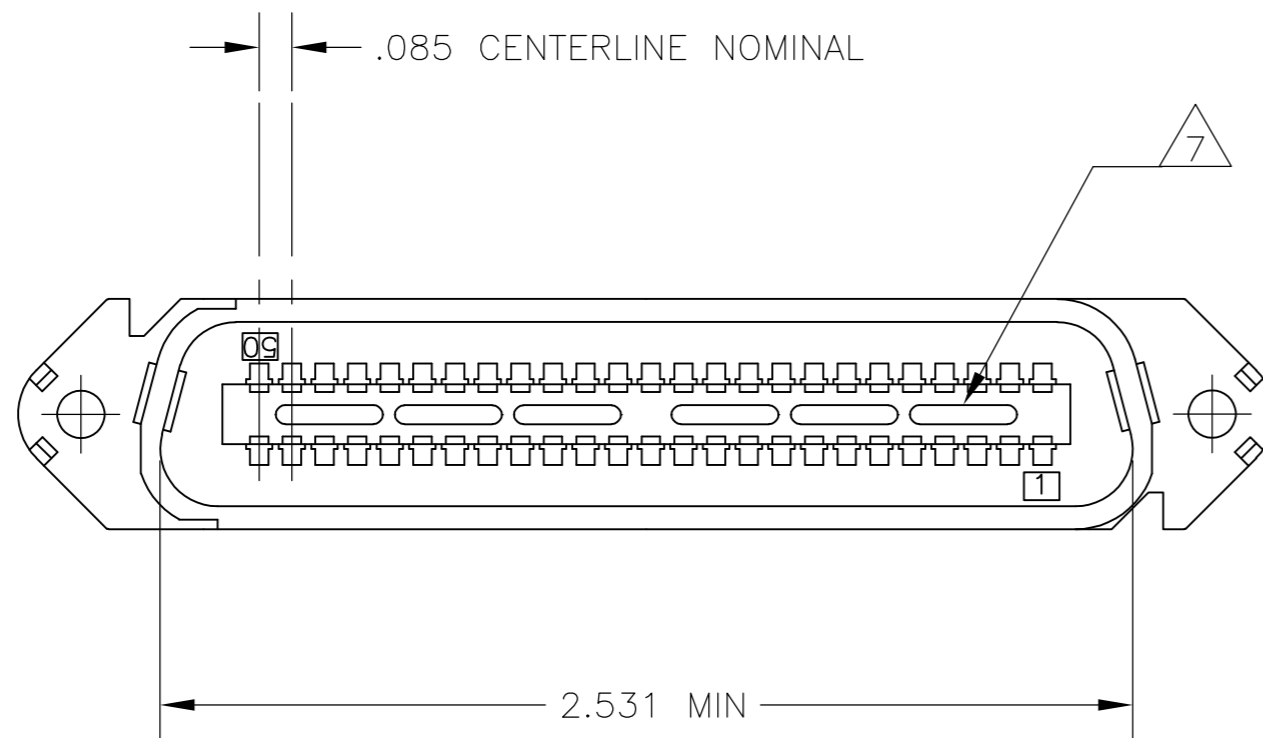
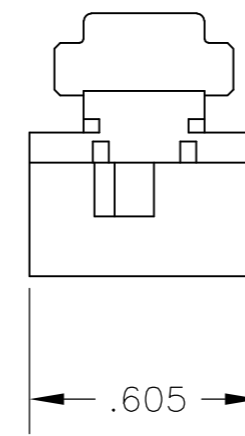
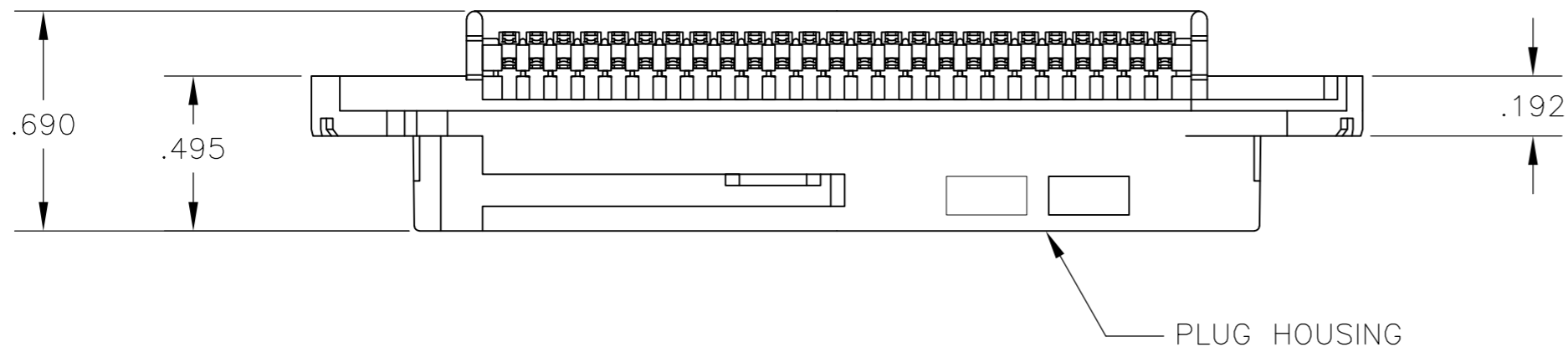


THIS DRAWING IS UNPUBLISHED. RELEASED FOR PUBLICATION
 © COPYRIGHT BY TYCO ELECTRONICS CORPORATION. ALL INTERNATIONAL RIGHTS RESERVED.

LOC		DIST		REVISIONS			
P	LTR	DESCRIPTION		DATE	DWN	APVD	
GP	00	A		REDRAWN, REVISED PER ECO-09-020146	21SEP2009	CJV	PAR



1. THE CONTACT SURFACES OF THE TERMINALS ARE COATED WITH LUBRICANT.
2. ALL DIMENSIONS SHOWN ARE MAXIMUM UNLESS OTHERWISE SPECIFIED.
3. MATERIAL: HOUSING - POLYPHENYLENE, BLACK.
TERMINALS - PHOSPHOR BRONZE PLATED WITH EITHER .000030 MIN GOLD OR GOLD FLASH OVER PALLADIUM NICKEL .000030 MIN TOTAL ON MATING SURFACE, ALL OVER .000050 MIN NICKEL UNDERPLATE.
4. WIRE SIZE: 22 AWG SOLID OR STRANDED COPPER CONDUCTORS. INSULATION DIAMETER OF .045-.056 IS ACCEPTABLE FOR MOST APPLICATIONS.
5. SEE PRODUCT SPECIFICATION 108-6005 FOR PERFORMANCE SPECIFICATIONS.
6. 100 ASSEMBLIES SHIPPED BULK PACKAGED.
7. CORING MAY OR MAY NOT APPEAR AND IS AT THE DISCRETION OF TYCO ELECTRONICS.



556039-1
 PART NUMBER

THIS DRAWING IS A CONTROLLED DOCUMENT.		DWN B.T. HOOTEN 21JUL1988	Tyco Electronics Corporation Harrisburg, PA 17105-3608	
DIMENSIONS: INCHES		CHK B. FOX 25JUL1988	NAME PLUG ASSY, 50 POSN, F SLOT SCR LOCK, CHAMP-LOK	
TOLERANCES UNLESS OTHERWISE SPECIFIED:		APVD J. TRAMMEL 26JUL1988	SIZE A2	CAGE CODE 00779
0 PLC ± - 1 PLC ± - 2 PLC ± - 3 PLC ± - 4 PLC ± - ANGLES ± -		PRODUCT SPEC APPLICATION SPEC	DRAWING NO C=556039	RESTRICTED TO -
MATERIAL 3	FINISH 3	WEIGHT -	SCALE 2:1	SHEET 1 of 1
CUSTOMER DRAWING			REV A	